

SPLIT DUCT

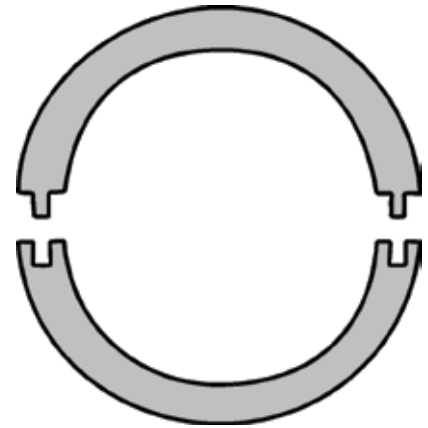
Split Duct is the fast and easy way to repair broken ductwork without the costly cutting and resplicing of your conductors.

The unique tongue-and-groove design provides a strong, rigid solution for duct repair situations.

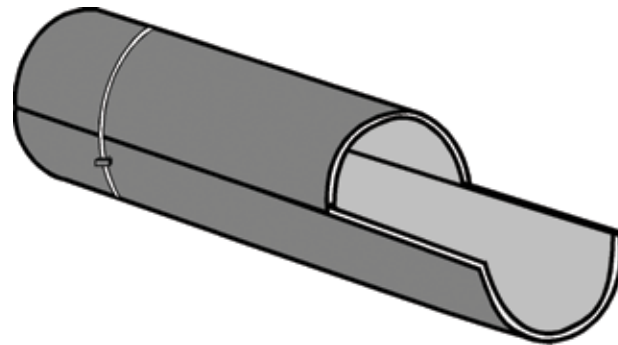
The interlocking design allows the split duct sections to be staggered and butted together. Joints may be sealed with tape and reinforced with plastic or metallic straps to produce a rigid, stable unit.

Manufactured from a compound designed specifically for power and telecommunications applications. Split Duct exhibits superior impact strength and ultraviolet resistance.

Available in 2" through 6" diameters, this product line also contains couplings and sweeps necessary to complete the system.



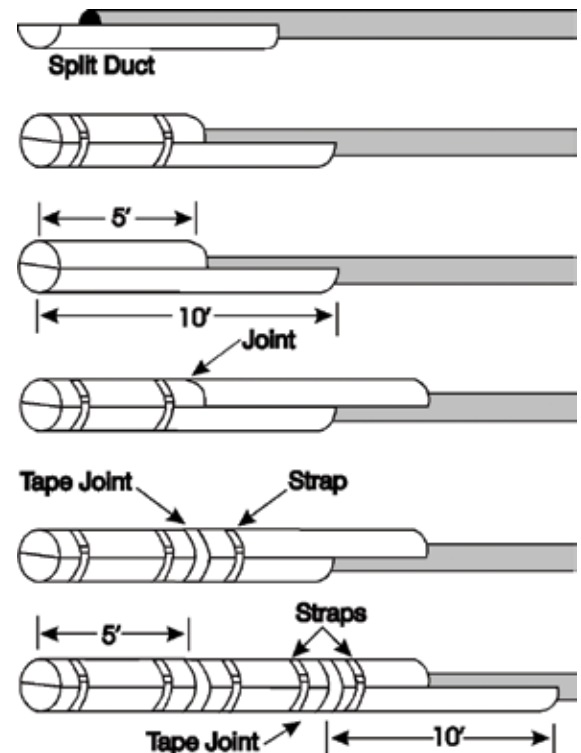
The fast and easy method of installing duct around existing cable for repair and temporary installations.



SPLIT DUCT

RECOMMENDED INSTALLATION PROCEDURE

1. Place one 10-foot Split Duct section under cable.
2. In order to stagger joints, saw another section in half (about 5 feet long).
3. Place 5-foot section over cable and snap the two sections together.
4. Place strap about one foot from the end and another strap about a foot from the joint where the ends of the top sections will butt.
5. Place another 10-foot Split Duct section over the open half of the bottom section, butt the ends tightly together and snap the sections together.
6. Place a length of tape around both sections of the Split Duct to cover the butted joint.
7. Place a strap about one foot beyond the taped joint.
8. Lay another length of Split Duct underneath cable, butt together, tape the butted joint and strap one foot on each side of the joint.
9. Repeat procedure.



SPLIT DUCT

SPLIT DUCT

Description	Std. Ctn. Qty.	Std. Ctn. Wt. (lbs.)	O.D.
Schedule 40			
2" Schedule 40 Split Duct	700	564	2.375
2-1/2" Schedule 40 Split Duct	460	572	2.875
3" Schedule 40 Split Duct	500	857	3.500
3-1/2" Schedule 40 Split Duct	290	569	4.000
4" Schedule 40 Split Duct	290	701	4.500
5" Schedule 40 Split Duct	230	751	5.563
6" Schedule 40 Split Duct	130	548	6.625

Schedule 80			
2" Schedule 80 Split Duct	700	749	2.375
4" Schedule 80 Split Duct	290	922	4.500

C Duct			
4" C Duct Split Duct	320	614	4.350

SPLIT SLEEVE COUPLING

Size	Description	Length	Split	Std. Ctn. Qty.	Std. Ctn. Wt. (lbs.)
Schedule 40 & 80					
2"	Split Coupling	6"	1	25	9
2-1/2"	Split Coupling	7"	1	25	21
3"	Split Coupling	7"	1	25	17
3"	Split Coupling	6.5"	2	25	10
3-1/2"	Split Coupling	8"	1	25	20
4"	Split Coupling	8"	1	15	16
4"	Split Coupling	6"	2	25	17
5"	Split Coupling	8"	1	15	25
5"	Split Coupling	9"	1	8	12
6"	Split Coupling	10"	1	6	17
C Duct					
4"	C Duct Split Coupling	8"	1	15	19
4"	C Duct Split Coupling	6"	1	25	24

SPLIT DUCT SWEEPS

Segment	Nom. Size	Radius (in.)	Std. Ctn. Qty.	Std. Ctn. Wt. (lbs.)
45° Sweep	2"	24"	1	1.4
	2"	36"	1	2.1
	3"	36"	1	4.7
	2"	48"	1	2.7
	3"	48"	1	6.1
	2"	60"	1	3.2
	3"	60"	1	7.2
	4"	60"	1	10.2
	22-1/2° Sweep	4"	60"	1
11-1/4° Sweep	2"	60"	1	1
	3"	60"	1	3.6
	4"	60"	1	5.1

Two 45° Elbows may be segmented for 90°.

Part Number Ordering Matrix Begins On Page 90

SPLIT DUCT CONDUIT

For enclosing fiber optics and cables, installing conduit around existing cable, or repairing sections of damaged conduit.

CRS Split Duct Conduit is an innovative and efficient product that is great for enclosing fiber optics, cables, and repairing damaged conduit.

When snapped together, the unique interlocking design of Split Duct Conduit creates a smooth tight seal protecting the cable or fiber optics from weathering. No tape, plastic, or metallic straps are needed to seal or provide extra strength to the Split Duct Conduit.

Manufactured from a compound specifically designed for power and communications applications, CRS Split Duct Conduit displays superior impact strength and ultraviolet resistance.



Patent No 5,462,312

SPLIT DUCT CONDUIT

Part Number	Description	I.D.	O.D.	Weight Per 10 ft.	Minimum Order
P1F	1" Split-Duct Conduit	1.049	1.315	4.50 lbs.	10 ft.
P125F	1.25" Split-Duct Conduit	1.380	1.660	5.50 lbs.	10 ft.
P15F	1.5" Split-Duct Conduit	1.610	1.900	6.50 lbs.	10 ft.
P2F	2" Split-Duct Conduit	2.067	2.375	8.50 lbs.	10 ft.
P25F	2.5" Split-Duct Conduit	2.469	2.875	10.50 lbs.	10 ft.
P3F	3" Split-Duct Conduit	3.068	3.500	13.00 lbs.	10 ft.
P4F	4" Split-Duct Conduit	4.026	4.500	18.50 lbs.	10 ft.
P5F	5" Split-Duct Conduit	5.047	5.563	24.50 lbs.	10 ft.
P6F	6" Split-Duct Conduit	6.065	6.625	34.00 lbs.	10 ft.

SCHEDULE 80 SPLIT CONDUIT

P2F80	2" Sch. 80 Split-Duct Conduit	1.939	2.375	12.00 lbs.	10 ft.
-------	-------------------------------	-------	-------	------------	--------

TYPE C SPLIT CONDUIT

PCD4F	4" Split C Duct	4.060	4.350	11.50 lbs.	10 ft.
-------	-----------------	-------	-------	------------	--------

SPLIT DUCT

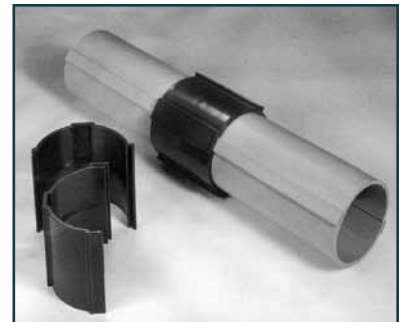
SPLIT COUPLINGS

For joining CRS's Split Duct Conduit to CRS's Split Duct Conduit.

CRS Split Couplings are specifically designed to connect our Split Duct Conduit to another section of Split Duct Conduit. Use of Split Couplings makes laying lines quick and easy.

The Split Couplings are manufactured from a compound specifically designed for power and communications applications. In addition, the Split Couplings along with CRS Split Duct Conduit have superior strength and ultraviolet resistance.

The unique interlocking design gives the Split Couplings a tight seal with a smooth, clean finish on the inside of the pipe.



Patent No. 5,462,312

SCH 40 SPLIT COUPLINGS

Part Number	Description	Minimum Order
RC1F	1" Split Couplings	6
RC125F	1.25" Split Couplings	6
RC15F	1.5" Split Couplings	6
RC2F	2" Split Couplings	6
RC25F	2.5" Split Couplings	6
RC3F	3" Split Couplings	6
RC4F	4" Split Couplings	6
RC5F	5" Split Couplings	6
RC6F	6" Split Couplings	6

TYPE C SPLIT ADAPTER COUPLINGS

RCD4F	4" Split C Adapter Coupling	6
-------	-----------------------------	---

SPLIT DUCT

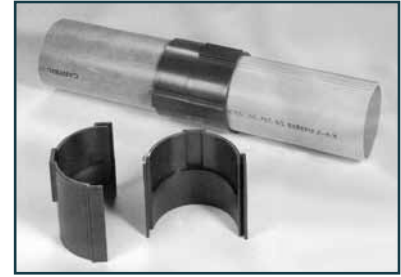
SPLIT ADAPTER COUPLINGS

For joining CRS's Split Duct Conduit to standard PVC conduit.

CRS Split Adapter Couplings are specifically designed to connect CRS Split Duct Conduit to standard PVC Conduit. Use of Split Adapter Couplings makes repairs quick and easy.

The Split Adapter Couplings are manufactured from a compound specifically designed for power and communications applications. In addition, the Split Adapter Couplings along with CRS Split Duct Conduit have superior strength and ultraviolet resistance.

The unique interlocking design gives the Split Adapter Couplings a tight seal with a smooth, clean finish on the inside of the pipe.



Patent No. 5,462,312

SCH 40 SPLIT ADAPTER COUPLINGS

Part Number	Description	Minimum Order
C1F	1" Split Adapter Couplings	6
C125F	1.25" Split Adapter Couplings	6
C15F	1.5" Split Adapter Couplings	6
C2F	2" Split Adapter Couplings	6
C25F	2.5" Split Adapter Couplings	6
C3F	3" Split Adapter Couplings	6
C4F	4" Split Adapter Couplings	6
C5F	5" Split Adapter Couplings	6
C6F	6" Split Adapter Couplings	6

TYPE C SPLIT ADAPTER COUPLINGS

CD4F	4" Split C Duct Adapter Couplings	6
------	-----------------------------------	---

SPLIT DUCT

CRS REPAIR KITS

For repairing damaged conduit.

CRS Repair Kits are an excellent way to go when repairing damaged conduit. Since many customers have requested the products in a pre-packaged format, we have created the CRS Repair Kits for your use. The CRS Repair Kits is a pre-packaged kit including CRS's Split Conduit and Split Couplings. This convenient repair kit makes repairs quick, easy and efficient.

Each 10' Repair Kit Includes:

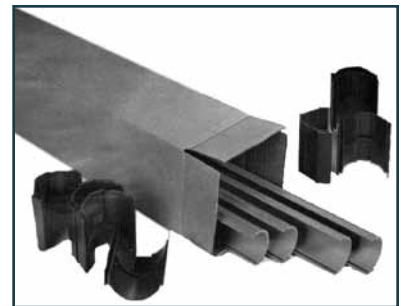
- 10 full feet of CRS's Split Conduit cut to five foot lengths
- 6 Split Adapter Couplings
- 1 Split Coupling for joining sections of Split Conduit to Split Conduit

Each 5' Repair Kit Includes:

- 5 full feet of CRS's Split Conduit cut to length
- 4 Split Adapter Couplings

Each 2' Repair Kit Includes:

- 2 full feet of CRS's Split Conduit cut to length
- 2 Split Adapter Couplings



Patent No. 5,462,312

10' SCH 40 CRS REPAIR KITS

Part No.	Description
K1F	1" CRS Repair Kit
K125F	1.25" CRS Repair Kit
K15F	1.5" CRS Repair Kit
K2F	2" CRS Repair Kit
K25F	2.5" CRS Repair Kit
K3F	3" CRS Repair Kit
K4F	4" CRS Repair Kit
K5F	5" CRS Repair Kit
K6F	6" CRS Repair Kit

Additional Repair Kits are available. Call your local Vikimatic Representative for details.

45° SPLIT DUCT SWEEPS

For making bends in the ground or for risers out of the ground.

CRS Split-Duct Sweeps are a by-product of our split conduit. They are great for 45 degree turns in the ground or for 45 degree risers coming up out of the ground.

Just as with the split conduit, when snapped together, the unique interlocking design of the Split Sweeps creates a smooth tight seal protecting the cable of fiber optics from weathering. No tape, plastic, or metal straps are needed to seal or provide extra strength to the split sweeps.

It is necessary to use CRS split couplings and/or split adapter couplings to connect the sweeps to CRS split conduit or to standard PVC pipe.



Patent No. 5,462,312

SCHEDULE 40 24 INCH RADIUS 45° SPLIT DUCT SWEEPS

	1" Part #	1.25" Part #	1.5" Part #	2" Part #	2.5" Part #	3" Part #	4" Part #	5" Part #	6" Part #
Horizontal	S1F24H45	S125F24H45	S15F24H45	S2F24H45	S25F24H45	S3F24H45	S4F24H45	N/A	N/A
Vertical	S1F24V45	S125F24V45	S15F24V45	S2F24V45	S25F24V45	S3F24V45	S4F24V45	N/A	N/A

SCHEDULE 40 36 INCH RADIUS 45° SPLIT DUCT SWEEPS

	1" Part #	1.25" Part #	1.5" Part #	2" Part #	2.5" Part #	3" Part #	4" Part #	5" Part #	6" Part #
Horizontal	S1F36H45	S125F36H45	S15F36H45	S2F36H45	S25F36H45	S3F36H45	S4F36H45	S5F36H45	S6F36H45
Vertical	S1F36V45	S125F36V45	S15F36V45	S2F36V45	S25F36V45	S3F36V45	S4F36V45	S5F36V45	S6F36V45

SCH 80 24" RADIUS 45° SPLIT DUCT SWEEPS

	2" Part #
Horizontal	S2F8024H45
Vertical	S2F8024V45

SCH 80 36" RADIUS 45° SPLIT DUCT SWEEPS

	2" Part #
Horizontal	S2F8036H45
Vertical	S2F8036V45

TYPE C 24" RADIUS 45° SPLIT DUCT SWEEPS

	4" Part #	Min. Order
Horizontal	SCD4F24H45	1
Vertical	SCD4F34V45	1

TYPE C 36" RADIUS 45° SPLIT DUCT SWEEPS

	4" Part #	Min. Order
Horizontal	SCD4F36H45	1
Vertical	SCD4F36V45	1

SPLIT DUCT

90° SPLIT DUCT SWEEPS

For making bends in the ground or for risers out of the ground.

CRS Split-Duct Sweeps are a by-product of our split conduit. They are great for 90 degree turns in the ground or for 90 degree risers coming up out of the ground.

Just as with the split conduit, when snapped together, the unique interlocking design of the Split Sweeps creates a smooth tight seal protecting the cable of fiber optics from weathering. No tape, plastic, or metal straps are needed to seal or provide extra strength to the split sweeps.

It is necessary to use CRS split couplings and/or split adapter couplings to connect the sweeps to the CRS split conduit or to standard PVC pipe.



Patent No. 5,462,312

SCHEDULE 40 24" RADIUS 90° SPLIT DUCT SWEEPS

	1" Part #	1.25" Part #	1.5" Part #	2" Part #	2.5" Part #	3" Part #	4" Part #	5" Part #	6" Part #
Horizontal	S1F24H90	S125F24H90	S15F24H90	S2F24H90	S25F24H90	S3F24H90	S4F24H90	N/A	N/A
Vertical	S1F24V90	S125F24V90	S15F24V90	S2F24V90	S25F24V90	S3F24V90	S4F24V90	N/A	N/A

SCHEDULE 40 36" RADIUS 90° SPLIT DUCT SWEEPS

	1" Part #	1.25" Part #	1.5" Part #	2" Part #	2.5" Part #	3" Part #	4" Part #	5" Part #	6" Part #
Horizontal	S1F36H90	S125F36H90	S15F36H90	S2F36H90	S25F36H90	S3F36H90	S4F36H90	S5F36H90	S6F36H90
Vertical	S1F36V90	S125F36V90	S15F36V90	S2F36V90	S25F36V90	S3F36V90	S4F36V90	S5F36V90	S6F36V90

SCH 80 24" RADIUS 90° SPLIT DUCT SWEEPS

2" Part

Horizontal	S2F8024H90
Vertical	S2F8024V90

SCH 80 36" RADIUS 90° SPLIT DUCT SWEEPS

2" Part

Horizontal	S2F8036H90
Vertical	S2F8036V90

TYPE C 24" RADIUS 90° SPLIT DUCT SWEEPS

4" Part # Min. Order

Horizontal	SCD4F24H90	1
Vertical	SCD4F34V90	1

TYPE C 36" RADIUS 90° SPLIT DUCT SWEEPS

4" Part # Min. Order

Horizontal	SCD4F36H90	1
Vertical	SCD4F36V90	1



Conduit is Damaged



1 – Remove Damaged Conduit



2 – Cut Split Duct to Length



3 – Snap in Place



4 – Attach Split Couplings



5 – Job Finished in Record Time